

Series 26SS / CS Ball Valve

Two-Piece Ball Valve, Full Port Sizes 1/4" ~ 2"

RATERMANN
Cryogenics

The Series 26SS / CS full port ball valves are designed for general purpose performance in a wide variety of utility applications. The 26SS / CS is an economical, 2000 psi, manually operated valve that meets industry requirements for performance and dependability.

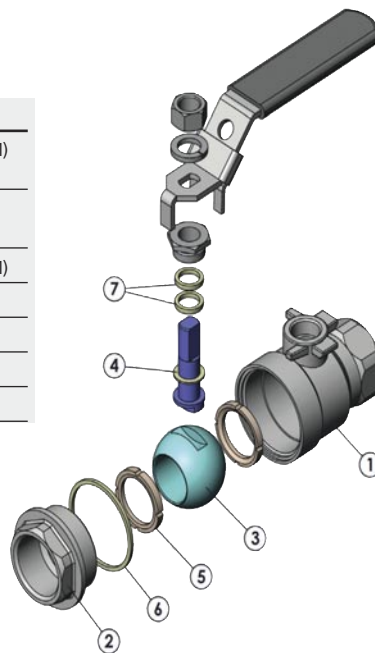
SERIES 26SS / CS DESIGN FEATURES

- Designed & built for economical performance
- Pressure rated for 2000 WOG
- Threaded End Connections
- Vinyl grip handle
- Blowout proof stem adds safety & reliability
- Lockable in the "Open" or "Closed" position



Materials of Construction

Item	Description	Materials Specifications
1	Body	316 Stainless Steel (ASTM A351-CF8M) Carbon Steel (ASTM 216 WCB)
2	End Connector	Stainless Steel (ASTM A351-CF8M) Carbon Steel (ASTM 216 WCB)
3	Ball	316 Stainless Steel (ASTM A351-CF8M)
4	Stem	AISI 316
5	Seat	RTFE
6	Body Seal	PTFE
7	Stem Seal	PTFE



Series 26SS / CS Ball Valve

Two-Piece Ball Valve, Full Port Sizes 1/4" ~ 2"

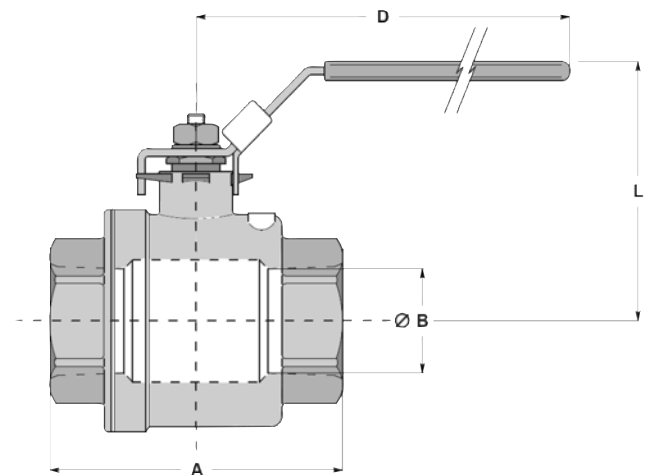
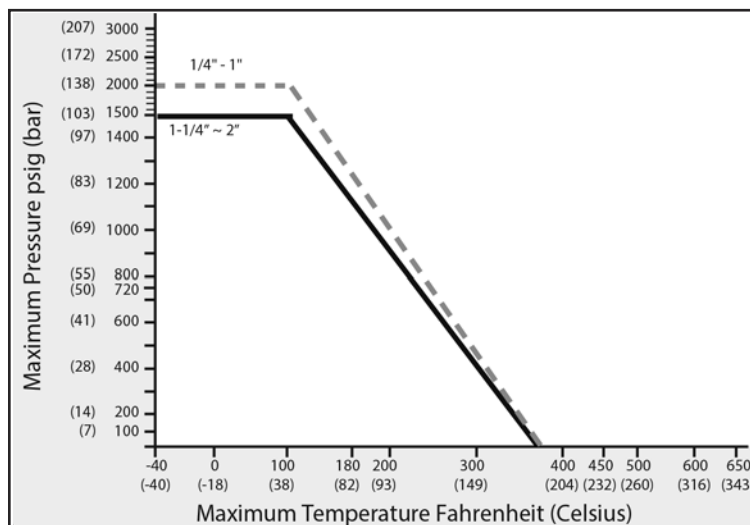
RATERMANN
Cryogenics

Dimensions, Weight, Cv

Size	A		B		D		L		Weight		Cv
	in.	mm	in.	mm	in.	mm	in.	mm	lbs.	kg	
1/4"	1.85	47	0.43	11	3.74	95	2.00	51	0.73	0.33	7
3/8"	1.85	47	0.50	13	3.74	95	2.00	51	0.73	0.33	8
1/2"	2.24	57	0.59	15	3.74	95	2.09	53	0.73	0.33	12
3/4"	2.55	65	0.79	20	4.33	110	2.36	60	1.17	0.53	21
1"	2.99	76	0.99	25	5.31	135	2.87	73	1.59	0.72	35
1-1/4"	3.46	88	1.26	32	5.31	135	3.11	79	2.80	1.27	57
1-1/2"	4.02	102	1.50	38	6.50	165	3.58	91	3.84	1.74	80
2"	4.84	123	1.97	50	6.50	165	3.89	99	4.67	2.11	148



26SS / CS – Pressure / Temperature Chart



Class 900 (Sizes: 1/4" to 1")

Class 600 (Sizes: 1-1/4" to 2")

26SS / CS Stainless Steel & Carbon Steel Ball Valves

STAINLESS STEEL				CARBON STEEL			
Size	Part Number	Size	Part Number	Size	Part Number	Size	Part Number
1/4"	26SSTH01M	1"	26SSTH05M	1/4"	26CSTH01M	1"	26CSTH05M
3/8"	26SSTH02M	1-1/4"	26SSTH06M	3/8"	26CSTH02M	1-1/4"	26CSTH06M
1/2"	26SSTH03M	1-1/2"	26SSTH07M	1/2"	26CSTH03M	1-1/2"	26CSTH07M
3/4"	26SSTH04M	2"	26SSTH08M	3/4"	26CSSTH04M	2"	26CSTH08M

WARNING: This product can expose you to chemicals including lead which is known to the State of California to cause cancer, birth defects or reproductive harm. For more information, go to www.P65Warnings.ca.gov

Rev: 11/19/21